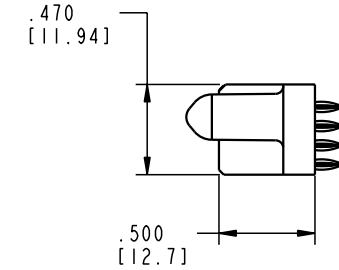
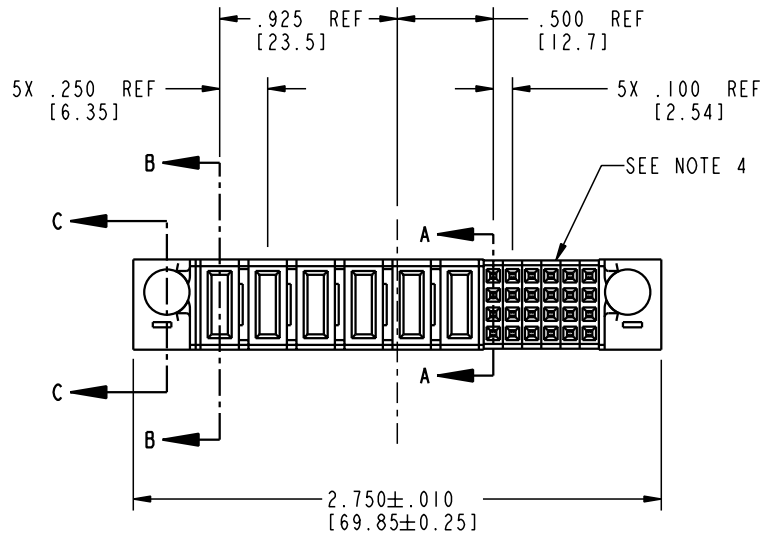


Tous droits strictement réservés. Reproduction ou communication o des liers interdite sous quelque forme que ce soit sans autorisation écrite du propriétaire. Propriete de c FCI. Droits de reproduction FCI.



All rights strictly reserved. Reproduction or issue to third parties in any form whenever is not permitted without written authority from the proprietor. Property of FCI. Copyright FCI.

PRODUCT NO.	ROWS	POWER						SIGNAL					E1		
		E2	P6	P5	P4	P3	P2	P1	6	5	4	3		2	1
51741-10002406CC	D C B A		PC	PC	PC	PC	PC	PC	F	F	F	F	F	F	



CODE	DIM "M" MATING LENGTH	CONTACT TYPE
F	N/A [N/A]	SIGNAL
PC	.042 [1.07]	POWER

mat'l code				SEE NOTE 2		tolerances unless otherwise specified		CUSTOMER		ELECTRONICS www.fciconnect.com	
ltr	ecn no.	dr	date	linear	.XX ± .01/0.X ± 0.3		COPY			title	
A	V12525	DAI	11-12-01		.XXX ± .005/0.XX ± 0.13		projection			24S + 6P	
					.XXX ± .0020/0.XXX ± 0.051		INCH/MM			VERTICAL PRESSFIT RECEPTACLE	
				angles	0° ± 2°		scale		product family		
				dr	D. INGRAM	11-12-01	1:1		PwrBlade		
				engr	J. ALLISON	11-12-01			code		
				chr	J. ALLISON	11-12-01			213		
				appd	J. ALLISON	11-12-01			sheet		
sheet index		revision sheet		A	A	A	A	A		1 of 4	
1	2	3	4								

1 | 2

Pro/E

3 |

cage code 22526

4

PDM: Rev:A

STATUS: Released

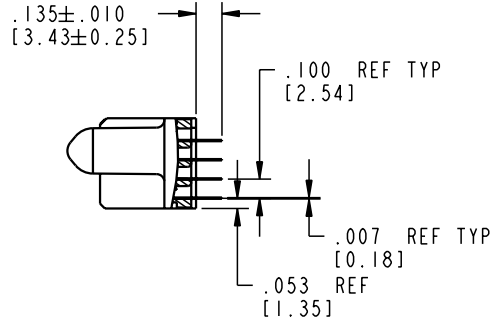
Printed: Aug 14, 2007

Tous droits strictement reserves. Reproduction ou communication a des tiers interdite sous quelque forme que ce soit sans autorisation ecrite du proprietaire. Propriete de c FCI. Droits de reproduction FCI.

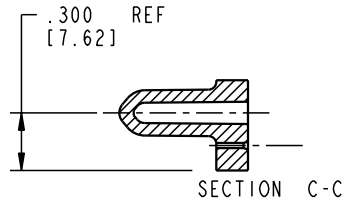


All rights strictly reserved. Reproduction or issue to third parties in any form whatever is not permitted without written authority from the proprietor. Property of FCI. Copyright FCI.

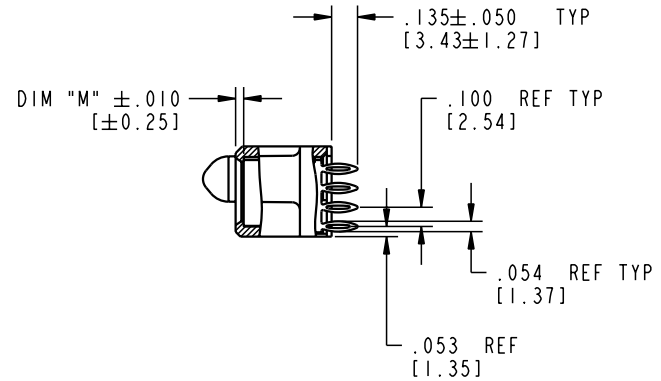
PRODUCT NUMBER
51741-10002406CC



SECTION A-A



SECTION C-C



SECTION B-B

mat'l code				SEE NOTE 2		tolerances unless otherwise specified		CUSTOMER		ELECTRONICS www.fciconnect.com	
ltr	ecn no.	dr	date	linear	.XX±.01/0.X±0.3		COPY			title	
A					.XXX±.005/0.XX±0.13		INCH/MM			24S + 6P	
					.XXX±.0020/0.XXX±0.051		scale			VERTICAL PRESSFIT RECEPTACLE	
				angles	0° ± 2°		1:1		product family		
				dr	D. INGRAM	11-12-01			PwrBlade		code
				engr	x. xxxxxx	mm/dd/yy			size		213
				chr	J. ALLISON	11-12-01			A		sheet
				appd	J. ALLISON	11-12-01			51741-10002406CC		2
sheet index		revision sheet									

cage code 22526

Pro/E

PDM: Rev:A

STATUS: Released

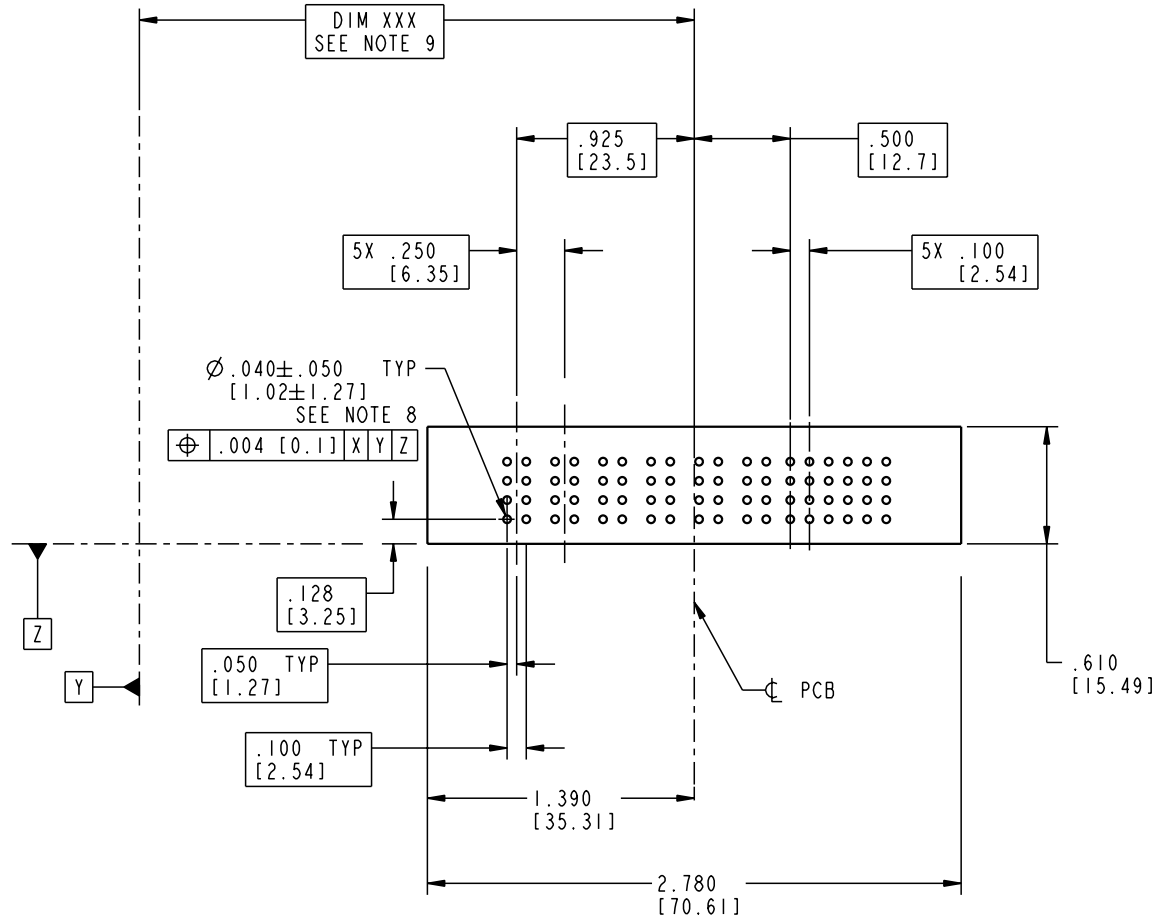
Printed: Aug 14, 2007

Tous droits strictement réservés. Reproduction ou communication o des tiers interdite sous quelque forme que ce soit sans autorisation écrite du propriétaire. Propriété de c FCI. Droits de reproduction FCI.



All rights strictly reserved. Reproduction or issue to third parties in any form whatever is not permitted without written authority from the proprietor. Property of FCI. Copyright FCI.

PRODUCT NUMBER
51741-10002406CC



mat'l code				SEE NOTE 2		tolerances unless otherwise specified		CUSTOMER		ELECTRONICS www.fciconnect.com	
ltr	ecn no.	dr	date	linear	.XX ± .01/0.X ± 0.3	projection	COPY		title		
A				angles	.XXX ± .005/0.XX ± 0.13				24S + 6P		
				dr	.XXX ± .0020/0.XXX ± 0.051	INCH/MM			VERTICAL PRESSFIT RECEPTACLE		
				enr	° ± °	scale	D. INGRAM 11-12-01		product family		code
				chr	x. xxxxxx mm/dd/yy	1:1	J. ALLISON 11-12-01		PwrBlade		213
				appd	J. ALLISON 11-12-01		J. ALLISON 11-12-01		size		sheet
sheet index		revision sheet						A		3	
								51741-10002406CC		3	

cage code 22526

Pro/E

PDM: Rev:A

STATUS: Released

Printed: Aug 14, 2007

Tous droits strictement réservés. Reproduction ou communication o des tiers interdite sous quelque forme que ce soit sans autorisation écrite du propriétaire. Propriété de c FCI. Droits de reproduction FCI.



All rights strictly reserved. Reproduction or issue to third parties in any form, whenever is not permitted without written authority from the proprietor. Property of FCI. Copyright FCI.

PRODUCT NUMBER
51741-10002406CC

NOTES:

1. DIMENSIONS AND TOLERANCES ARE IN ACCORDANCE WITH ASME Y14.5M, 1994 UNLESS OTHERWISE SPECIFIED.

CONNECTORS NOTES:

② HOUSING MATERIAL: UL 94 V-0 GLASS FILLED HIGH TEMP THERMO PLASTIC
POWER CONTACT MATERIAL: COPPER ALLOY
SIGNAL PIN MATERIAL: COPPER ALLOY

3. PLATING:

SIGNAL PINS: 30u"/0.76um Au OVER 50u"/1.27um Ni
POWER CONTACTS: 50u"/1.27um Ni UNDER ALL WITH 30u"/0.76um Au ON CONTACT AREA AND SnPb ON PCB INTERFACE

④ "MANUFACTURER" NAME, P/N, AND DATE CODE TO APPEAR ON THIS SURFACE.

5. PRODUCT SPECIFICATION GS-12-149.

PCB - NOTES:

6. ALL HOLE DIAMETERS ARE FINISHED HOLE SIZE.

⑦ HOLD DOWN THROUGH HOLES ARE UNPLATED.

⑧ $\varnothing .0453 \pm 0.0010$ [1.151 \pm 0.025] DRILLED HOLES PLATED WITH 0.0003 [0.008] MIN SnPb OVER .001 [0.03] TO .003 [0.08] Cu PLATING TO ACHIEVE $\varnothing .040 \pm .003$ [1.02 \pm .07] HOLE.

⑨ "DIM XXX" TO BE DETERMINED BY THE CUSTOMER.

mat'l code				SEE NOTE 2		tolerances unless otherwise specified		CUSTOMER		ELECTRONICS www.fciconnect.com	
ltr	ecn no.	dr	date	linear	.XX±.01/0.X±0.3		COPY			title	
A					.XXX±.005/0.XX±0.13		INCH/MM			24S + 6P	
					.XXX±.0020/0.XXX±0.051		scale			VERTICAL PRESSFIT RECEPTACLE	
				angles	0° ± 2°		1:1		product family		
				dr	D. INGRAM	11-12-01			PwrBlade		code
				engr	x. xxxxxx	mm/dd/yy			size		213
				chr	J. ALLISON	11-12-01			dwg no		sheet
				appd	J. ALLISON	11-12-01			A 51741-10002406CC		4
sheet index		revision sheet									

1 | 2

Pro/E

3 |

cage code 22526

4

PDM: Rev:A

STATUS: Released

Printed: Aug 14, 2007